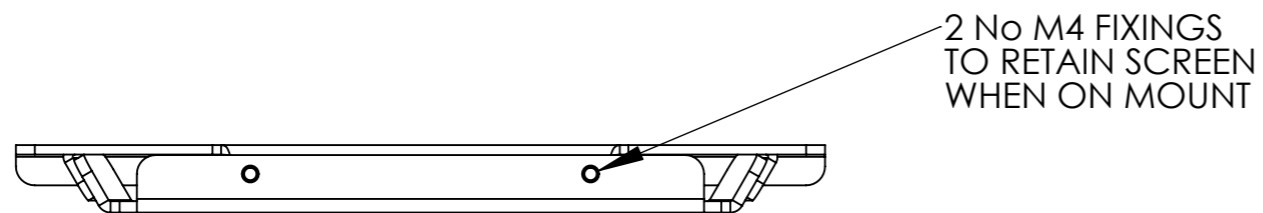
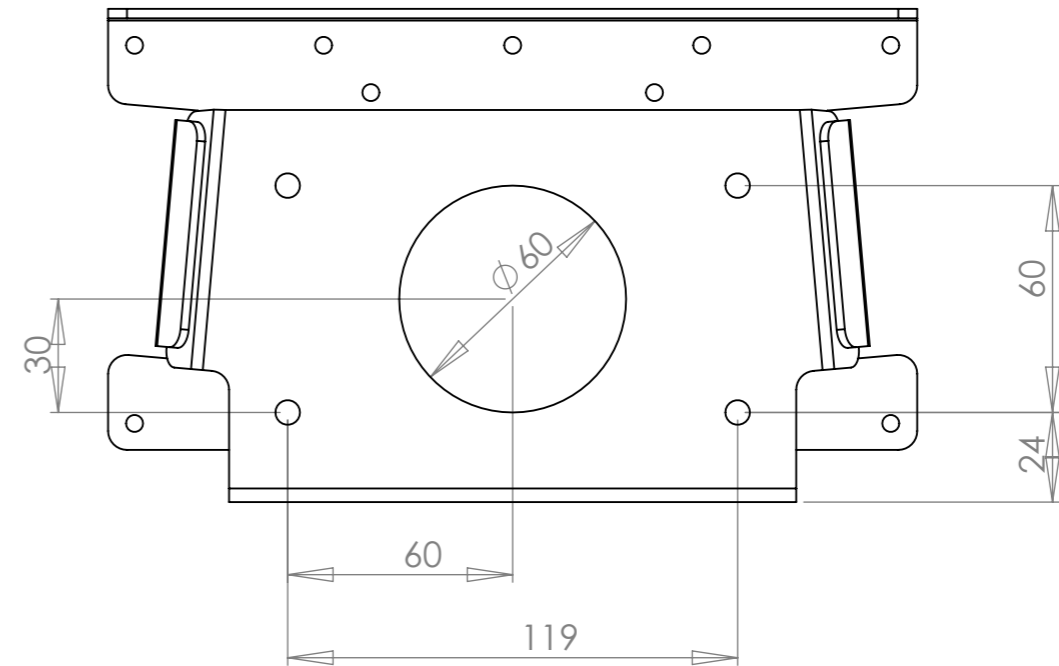
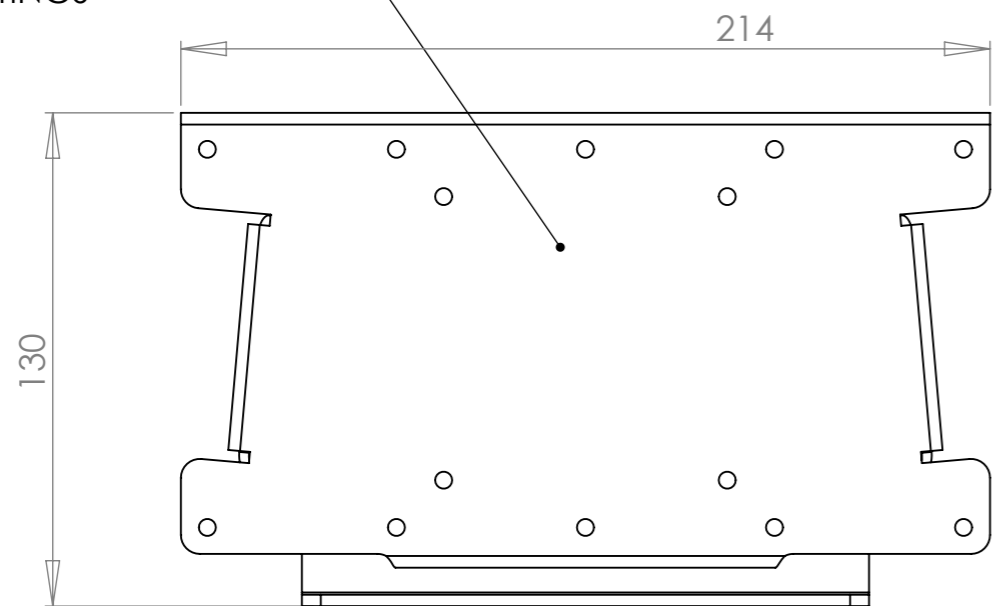


VESA 75x75, 100x100, 100x200,
MOUNTINGS



2 No M4 FIXINGS
TO RETAIN SCREEN
WHEN ON MOUNT

DEBUR AND BREAK SHARP EDGES		Mode-AL.co.uk UNIT 4 ANAMAX IND. PARK, OXFORD ROAD, TATLING END, BUCKS SL9 7BB TEL +44 (0)1753 880824
MATERIAL: SEE PART DWGS		
FINISH: SEE PART DWGS		TITLE: VESA 200x100 WALL MOUNT FIXED
UNLESS OTHERWISE SPECIFIED: DIMENSIONS ARE IN MILLIMETERS TOLERANCES: LINEAR: X. ±1.0mm X.X ±0.25 mm X.XX ±0.10 mm ANGULAR: X.XX ±0.1°		DWG NO. MA-OEM-06
SCALE: 1:2		REV A
SHEET 1 OF 1		A3