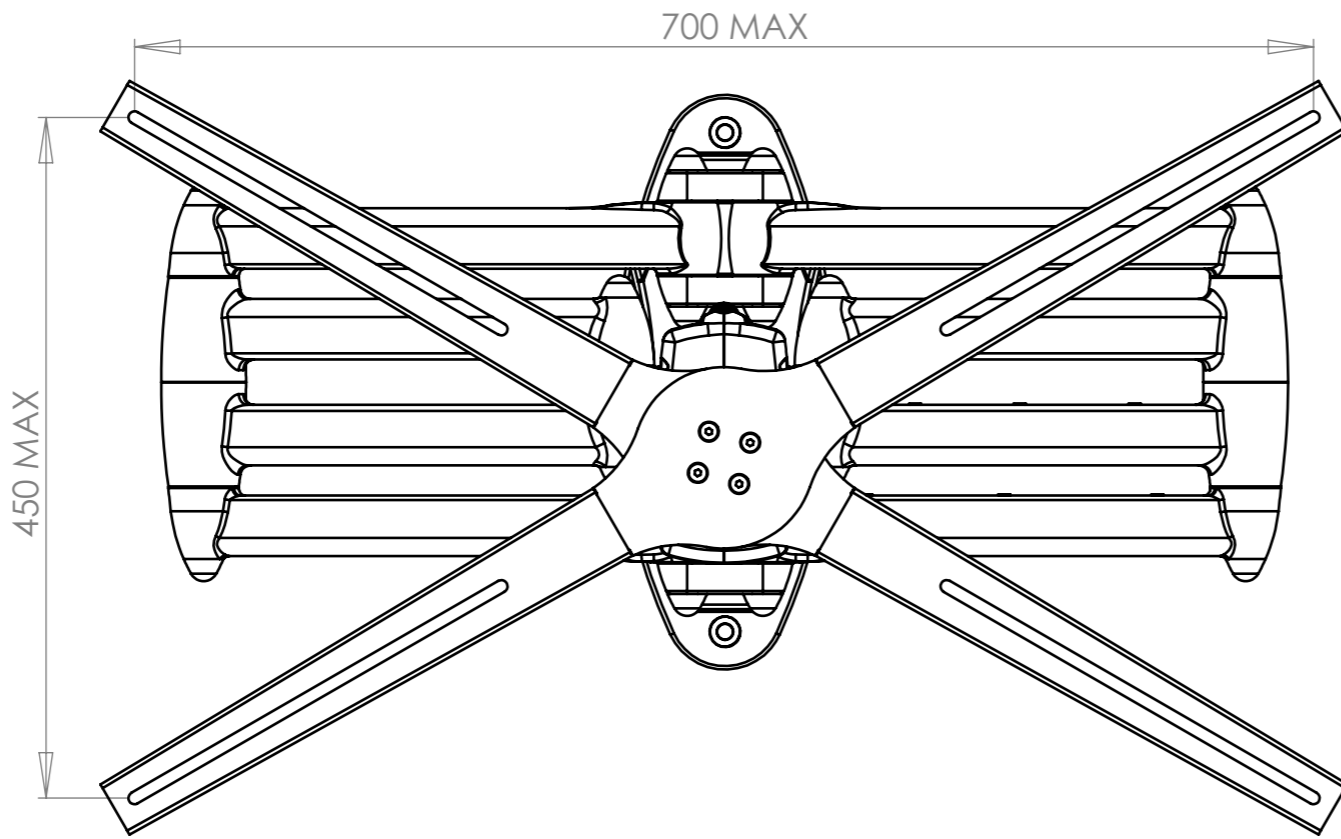
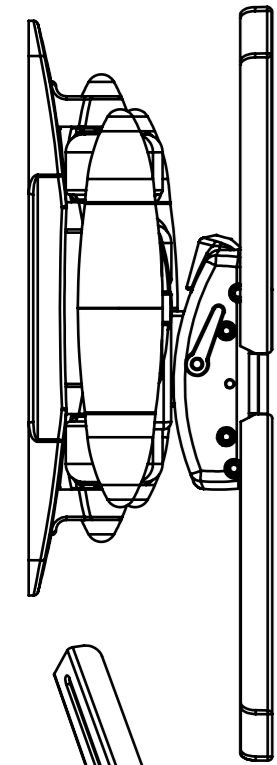
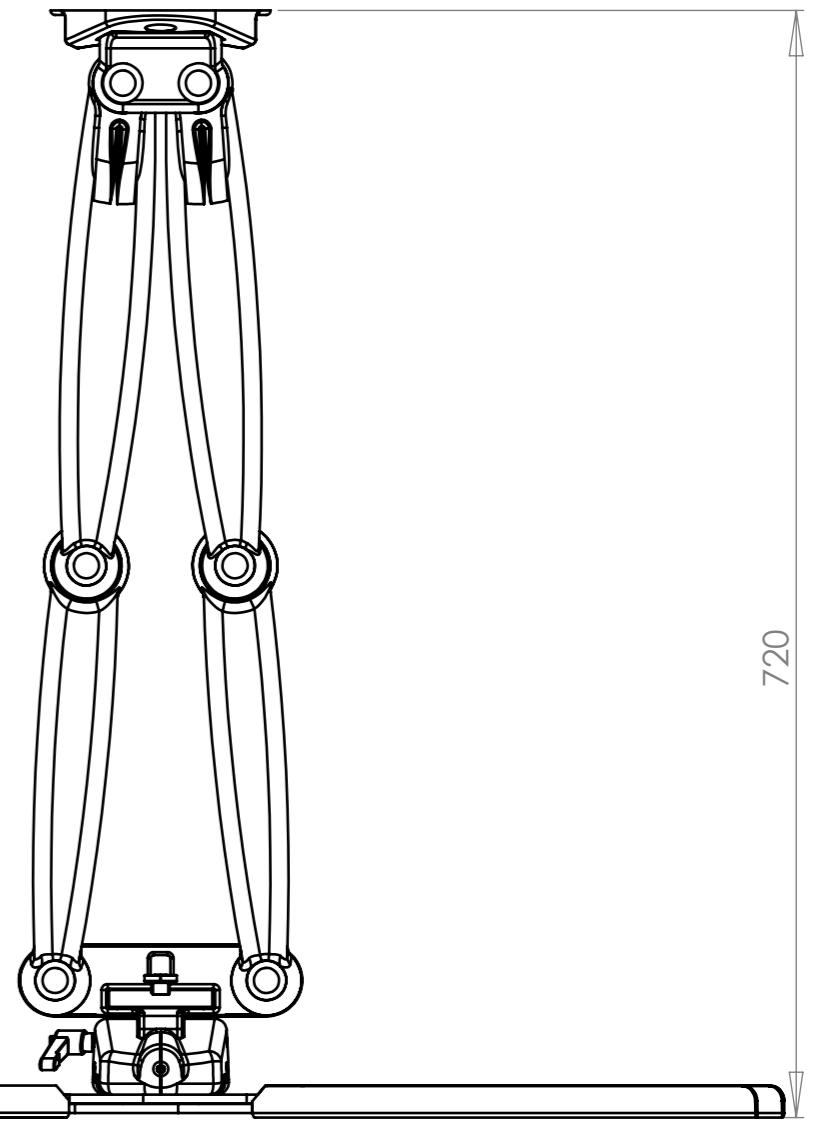


150

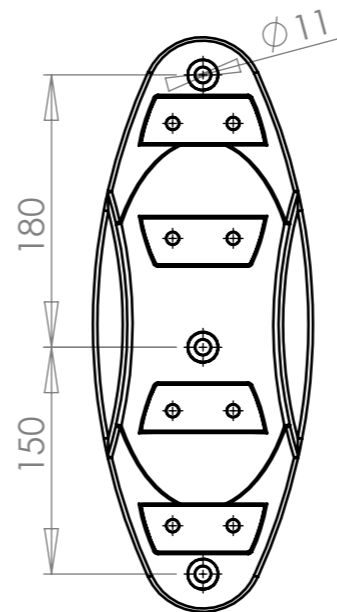
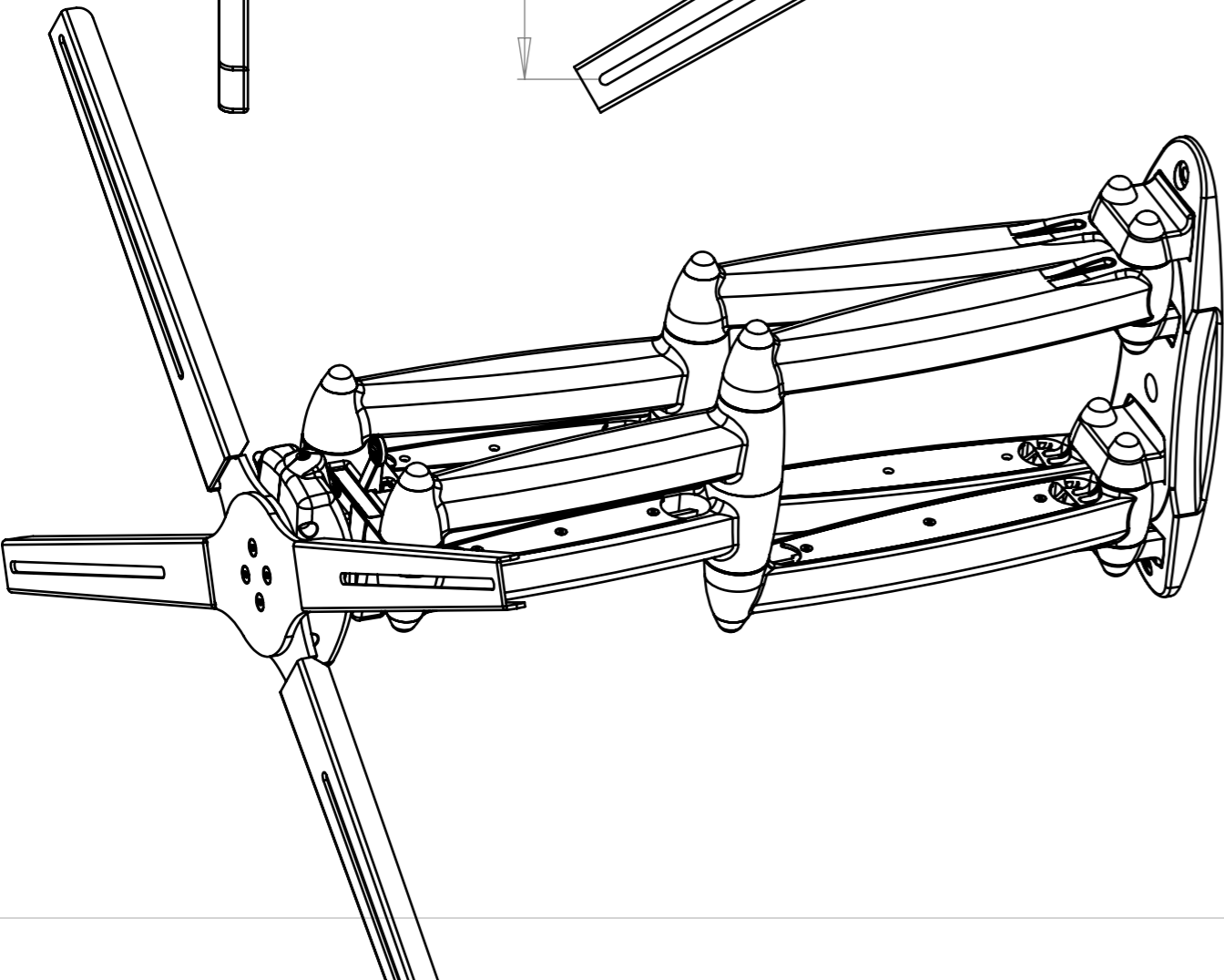


700 MAX

450 MAX



720



180

150

Ø11

MAX LOAD RATING 90kg
 SCREEN TO SCREEN ARM FIXINGS MAX M8
 WALL TO WALL BRACKET FIXINGS MIN M8

| | | |
|--|--------------|--|
| DEBUR AND BREAK SHARP EDGES | | Mode-AL.com UNIT 4 ANAMAX IND. PARK. OXFORD ROAD, TATLING END, BUCKS SL9 7BB TEL +44 (0)1753 880824 |
| MATERIAL: ALUMINUM | | |
| FINISH: SILVER | | TITLE: UNIVERSAL CANTILEVER X TYPE |
| UNLESS OTHERWISE SPECIFIED: DIMENSIONS ARE IN MILLIMETRES TOLERANCES: LINEAR: X. ±1.0mm X.X ±0.25 mm X.XX ±0.10 mm ANGULAR: X.XX ±0.1° | | DWG NO. MA-OEM-38 |
| SCALE: NTS | SHEET 1 OF 1 | REV A A3 |