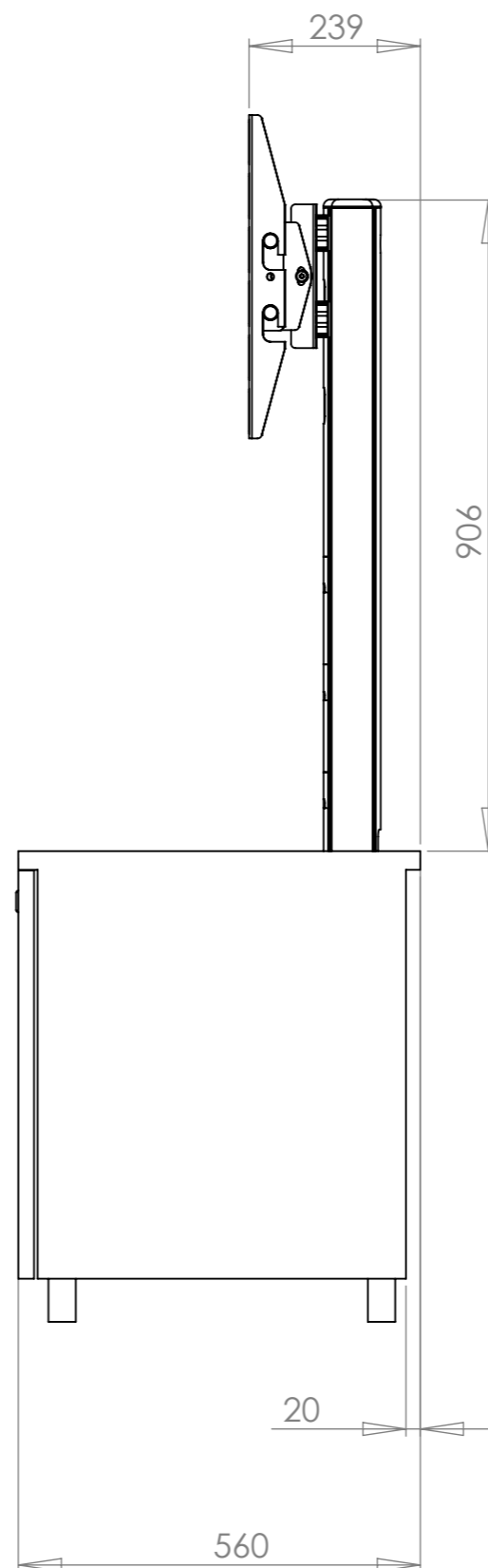
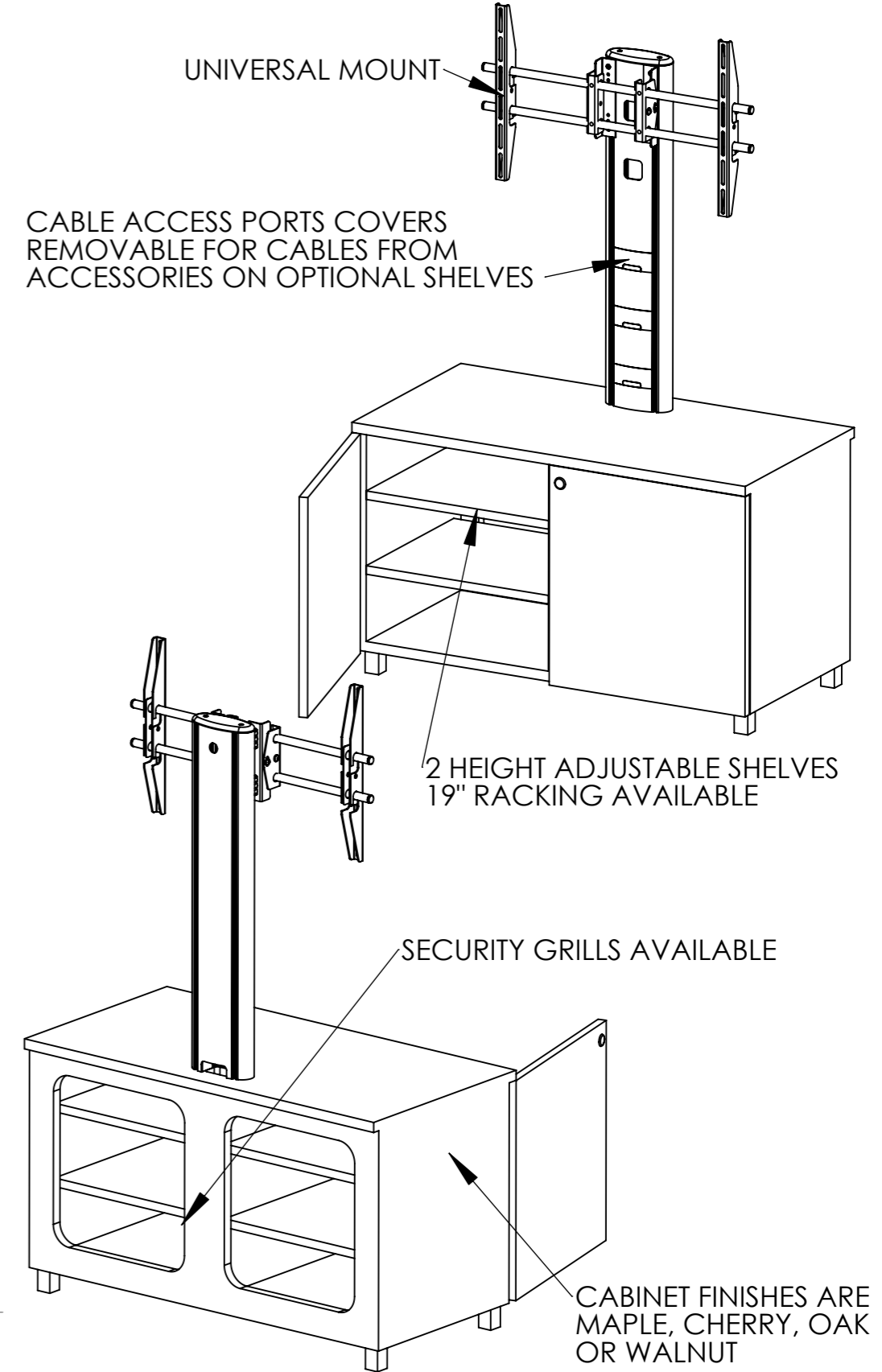


STANDARD FEET SHOWN
CASTORS & LEVELLING FEET AVAILABLE
HEIGHT WILL CHANGE ACCORDINGLY



CABLE ACCESS PORTS COVERS
REMOVABLE FOR CABLES FROM
ACCESSORIES ON OPTIONAL SHELVES



DEBUR AND BREAK SHARP EDGES		Mode-AL.co.uk UNIT 4 ANAMAX IND. PARK, OXFORD ROAD, TATLING END, BUCKS SL9 7BB TEL +44 (0)1753 880824
MATERIAL: -		
FINISH: -		TITLE: VC-03 VIDEO CON CABINET O'ALL DIMS
UNLESS OTHERWISE SPECIFIED: DIMENSIONS ARE IN MILLIMETERS TOLERANCES: LINEAR: X. ±1.0mm X.X ±0.25 mm X.XX ±0.10 mm ANGULAR: X.XX ±0.1°		DWG NO. VC-03
SCALE: 1:10	SHEET 1 OF 1	A3